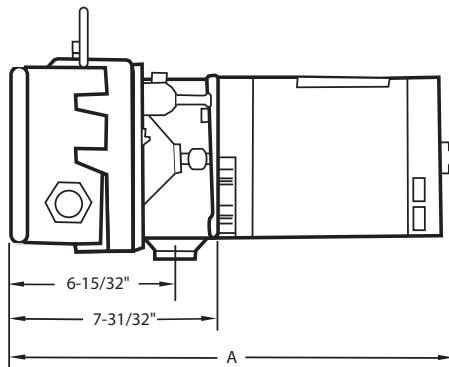
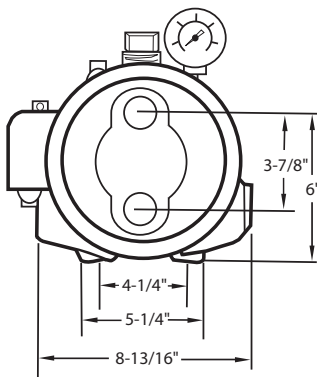


Non-Submersible Pumps

E. J. Schaefer



NRTL/C
CSA 108
UL 778



Pro Series Jet Pumps - Convertible

Features:

- Heavy-duty cast iron case and bronze impeller ensure optimum durability.
- Thermoplastic diffuser is molded for efficiency and dependability.
- Screw-in injector for easy conversion from shallow to deep well installation.
- Shaft coupling designed for easy removal of pump motor.
- Mechanical shaft seal ensures leakproof fit and continuous water lubrication.
- High service factor 56C-frame motor for maximum performance.
- Hardware kit allows for versatility of installation and includes pressure gauge, plugs, shallow well injector, and bypass plug.
- Adjustable pressure switch is factory-installed at 30/50 psi.
- Connections
 - 1-1/4" NPT suction
 - 1" NPT discharge
 - 1" NPT drive line
- Maximum temperature of 140 °F (60 °C).

| DIMENSIONS | | |
|------------|-----|--------|
| MODEL | HP | A |
| SP05CI-C | 1/2 | 18.65" |
| SP07CI-C | 3/4 | 19.15" |
| SP1CI-C | 1 | 19.65" |

Note: Dimensions will vary according to motor manufacturer.

Non-Submersible Pumps

Ordering Information

(See pages 2-3 for model number information)

Pro Series

| PRO CONVERTIBLE JET PUMPS | | | | | | | | |
|---------------------------|-----|---------------------|---------|-----------|-----|--------------------|-----------|-----|
| MODEL | HP | SUCTION X DISCHARGE | VOLTAGE | PUMP UNIT | | DEEP WELL INJECTOR | | |
| | | | | ORDER NO. | WT. | SUCTION LIFT | ORDER NO. | WT. |
| SP05CI-C | 1/2 | 1-1/4" x 1" | 115/230 | 91120005 | 48 | 30 - 60 ft. | 147E1120 | 7 |
| | | | | | | 50 - 100 ft. | 147E0915 | 7 |
| SP07CI-C | 3/4 | 1-1/4" x 1" | 115/230 | 91120007 | 51 | 30 - 60 ft. | 147E1023 | 7 |
| | | | | | | 50 - 100 ft. | 147E1118 | 7 |
| SP1CI-C | 1 | 1-1/4" x 1" | 115/230 | 91120010 | 53 | 30 - 60 ft. | 147E1125 | 7 |
| | | | | | | 50 - 100 ft. | 147E1120 | 7 |

- Notes:**
1. Order deep well injector separately.
 2. Minimum inside well diameter requirement of 4" for deep well injectors.
 3. All weights are in pounds.

| OPTIONAL INJECTOR FOR HIGH HEAD PERFORMANCE | | |
|---|---------|----|
| INJECTOR ORDERING NO. | MODEL | HP |
| 18-1278-03-R | SP1CI-C | 1 |

| PRESSURE GAUGE | |
|----------------|------------------|
| ORDERING NO. | PRESSURE READING |
| 9193-4018 | 0-100 PSI |

Required for Deep Well Installations:



Parallel Pipe Injectors

Non-Submersible Pumps



Shallow Well Performance

Pro Series Performance

| PRO 1-1/4" SUCTION 1" DISCHARGE | | | DISCHARGE PRESSURE - PSI | | | | | | | | | SHUT-OFF PRESSURE PSI |
|---------------------------------|--------------------|------------------------|--------------------------|------|------|------|------|------|------|------|-----|-----------------------|
| SERIES | INJECTOR ORDER NO. | TOTAL SUCTION LIFT FT. | 30 | 35 | 40 | 45 | 50 | 55 | 60 | 65 | 70 | |
| | | | GALLONS PER MINUTE | | | | | | | | | |
| SP05 1/2 hp | 18-1278-03-R | 5 | 15.5 | 13.5 | 11 | 8.5 | 6 | 4 | 2 | | | 65 |
| | | 10 | 13.5 | 12.5 | 10 | 7.5 | 5 | 3 | 1 | | | 63 |
| | | 15 | 11.5 | 10.5 | 8.5 | 6 | 4 | 2 | | | | 60 |
| | | 20 | 9.5 | 9 | 7.5 | 5 | 3 | 1 | | | | 58 |
| | | 25 | 7 | 7 | 6 | 4 | 2 | | | | | 55 |
| SP07 3/4 hp | 18-1279-02-R | 5 | 19 | 18.5 | 18 | 16 | 12.5 | 9.5 | 6.5 | 3.5 | | 70 |
| | | 10 | 16.5 | 16 | 15.5 | 14 | 10 | 8 | 4.5 | 1.5 | | 68 |
| | | 15 | 14.5 | 14 | 13.5 | 12.5 | 9.5 | 6.5 | 3.5 | | | 66 |
| | | 20 | | 11.5 | 11 | 10 | 8 | 5 | 2 | | | 63 |
| | | 25 | | | 8.5 | 8 | 6.5 | 3.5 | 1 | | | 61 |
| SP1 1 hp | 18-1280-09-R | 5 | 23 | 22.5 | 22 | 21.5 | 20 | 17.5 | 14 | 10.5 | 7 | 81 |
| | | 10 | | 19.5 | 19 | 18.5 | 17.5 | 15.5 | 12.5 | 9 | 5.5 | 78 |
| | | 15 | | 16.5 | 16 | 15.5 | 15 | 13.5 | 11 | 7.5 | 4.5 | 76 |
| | | 20 | | | 13.5 | 13 | 12.5 | 11.5 | 9.5 | 6 | 2.5 | 74 |
| | | 25 | | | | 10 | 10 | 9.5 | 7.5 | 4.5 | 1 | 71 |
| SERIES | INJECTOR ORDER NO. | TOTAL SUCTION LIFT FT. | DISCHARGE PRESSURE - PSI | | | | | | | | | SHUT-OFF PRESSURE PSI |
| | | | 50 | 55 | 60 | 65 | 70 | 75 | 80 | 85 | 90 | |
| | | | GALLONS PER MINUTE | | | | | | | | | |
| High Head SP1 1 hp | 18-1278-03-R | 5 | | | 11 | 10 | 7.5 | 5.5 | 3.5 | 1.5 | | 90 |
| | | 10 | | | 10 | 8.5 | 6.5 | 4.5 | 2.5 | | | 88 |
| | | 15 | | | 9 | 7.5 | 5.5 | 3.5 | 1.5 | | | 84 |
| | | 20 | | | 8 | 6 | 4 | 2 | | | | 81 |
| | | 25 | | | 7 | 5 | 3 | 1 | | | | 78 |

- Notes:**
1. Pressure switch pre-set 30-50 psi.
 2. The appropriate injector is included with the units.
 3. Maximum pump working pressure is 150 psi.
 4. All the above discharge pressures were measured using 1-1/4" PVC suction pipe and 1-1/4" foot valve.

Non-Submersible Pumps



Deep Well Performance

Pro Series Performance

| PRO 1-1/4" SUCTION 1" DISCHARGE 1" DRIVE PIPE | | | DISCHARGE PRESSURE - PSI | | | | | | | | | SHUT-OFF PRESSURE PSI | INJ. MIN. OPERATING PRESSURE | |
|--|-----------------------|---------------------------|--------------------------|------|------|-----|-----|-----|-----|-----|----|-----------------------------|------------------------------------|----|
| SERIES | INJECTOR ORDER NO. | TOTAL SUCTION LIFT FT. | 30 | 35 | 40 | 45 | 50 | 55 | 60 | 65 | 70 | | | |
| | | | GALLONS PER MINUTE | | | | | | | | | | | |
| SP05 1/2 hp | 147E-1120 | 30 | 9 | 7 | 5.5 | 4 | 2.5 | 1.5 | | | | 65 | 18 | |
| | | 40 | 7.5 | 6 | 4 | 3 | 1.5 | | | | | 59 | | |
| | | 50 | 6 | 4.5 | 3 | 2 | 1 | | | | | 56 | | |
| | | 60 | 5 | 3.5 | 2 | 1 | | | | | | 52 | | |
| | 147E-0915 | 50 | 6 | 5 | 4 | 3 | 2.5 | 2 | 1 | | | | 74 | 23 |
| | | 60 | 5 | 4 | 3.5 | 2.5 | 2 | 1 | | | | | 70 | |
| | | 70 | 4 | 3.5 | 2.5 | 2 | 1.5 | | | | | | 65 | |
| | | 80 | 3.5 | 3 | 2 | 1.5 | 1 | | | | | | 61 | |
| | | 90 | 3 | 2 | 1.5 | 1 | | | | | | | 57 | |
| | | 100 | 2.5 | 1.5 | 1 | | | | | | | | 52 | |
| SP07 3/4 hp | 147E-1023 | 30 | 15.5 | 13.5 | 11 | 8.5 | 6.5 | 4 | 2 | | | 66 | 18 | |
| | | 40 | 13.5 | 11.5 | 9 | 7 | 4.5 | 2.4 | | | | 61 | | |
| | | 50 | 11 | 9.5 | 7 | 5 | 3 | | | | | 57 | | |
| | | 60 | 9 | 7.5 | 5 | 3 | 1 | | | | | 53 | | |
| | 147E-1118 | 50 | 9 | 8 | 7 | 6 | 4.5 | 3.5 | 3 | 2 | 1 | | 80 | 23 |
| | | 60 | 8 | 7 | 6 | 4.5 | 4 | 3 | 2 | 1.5 | | | 77 | |
| | | 70 | 6.5 | 5.5 | 4.5 | 3.5 | 3 | 2 | 1 | | | | 72 | |
| | | 80 | 6 | 5 | 4 | 3 | 2 | 1.5 | | | | | 67 | |
| | | 90 | 5 | 4 | 3 | 2 | 1.5 | | | | | | 63 | |
| | | 100 | 4 | 3 | 2.5 | 1.5 | 1 | | | | | | 30 | |
| SP1 1 hp | 147E-1125 | 30 | 19.5 | 17 | 14.5 | 12 | 9.5 | 7 | 5 | | | 72 | 30 | |
| | | 40 | 17.5 | 15 | 12.5 | 10 | 7.5 | 5 | 3 | | | 67 | | |
| | | 50 | 15.5 | 13 | 10.5 | 8 | 5.5 | 3.5 | 1 | | | 63 | | |
| | | 60 | 13 | 10.5 | 8.5 | 6 | 3.5 | 1.5 | | | | 59 | | |
| | 147E-1120 | 50 | | 11 | 9.5 | 8 | 6.5 | 5 | 4 | 3 | 2 | | 82 | 36 |
| | | 60 | | 10 | 8 | 7 | 5.5 | 4 | 3 | 2 | 1 | | 78 | |
| | | 70 | | 8 | 7 | 6 | 4.5 | 3 | 2 | 1 | | | 73 | |
| | | 80 | | 7 | 6 | 4.5 | 3.5 | 2 | 1.5 | | | | 70 | |
| | | 90 | | 6 | 5 | 3.5 | 2.5 | 1.5 | | | | | 65 | |
| | | 100 | | 5 | 4 | 3 | 1.5 | | | | | | 61 | |

- Notes:** 1. Pressure switch pre-set 30-50 psi.
 2. Maximum pump working pressure is 150 psi.
 3. All the above discharge pressures were measured using 1-1/4" PVC suction pipe and 1-1/4" foot valve and 1" drive pipe.